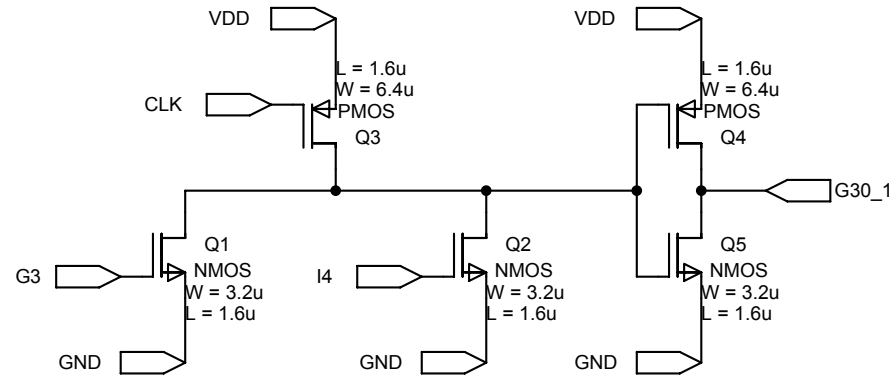


NOTE: ONLY SIGNAL G1_30 IS COMPUTED. G0_30 IS A CONSTANT (G3) AND IS INCLUDED AT THE INPUT OF THE FINAL SUM GATE



Title		
G30_1		
Size	Document Number	Rev
A	<Doc>	A
Date:	Tuesday, April 06, 2004	Sheet 5 of 20